

Table 12 (cont.)

Cat. No.	Models	Fuse link Size	Rated insulation voltage(V)	Conventional free air thermal current(A)	Dimensions (mm) Fig.	Weight (g)
1206	FB711C	RGS30A RGS-30B RS711B RS711C NGT00	800	200	See Figure 12.3	182

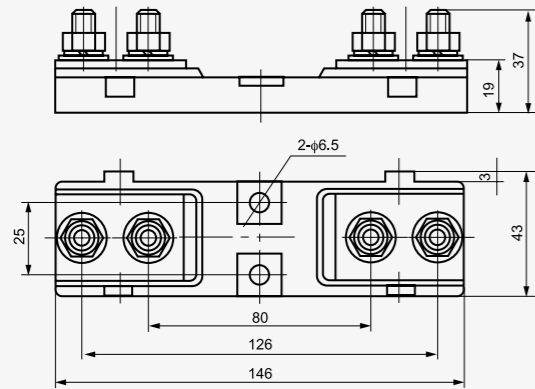


Figure 12.3



Table 12 (cont.)

Cat. No.	Models	Fuse link Size	Rated insulation voltage(V)	Conventional free air thermal current(A)	Dimensions (mm) Fig.	Weight (g)
1207	FB73B	NGT1-3 RS73B RS75A RS75B	1000	630	See Figure 12.4	826

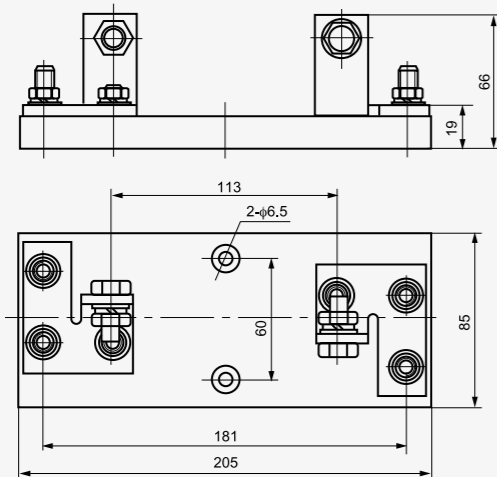


Figure 12.4



Table 12 (cont.)

Cat. No.	Models	Fuse link Size	Rated insulation voltage(V)	Conventional free air thermal current(A)	Dimensions (mm) Fig.	Weight (g)
1208	FB20C	RO20C	600	200	See Figure 12.5	632

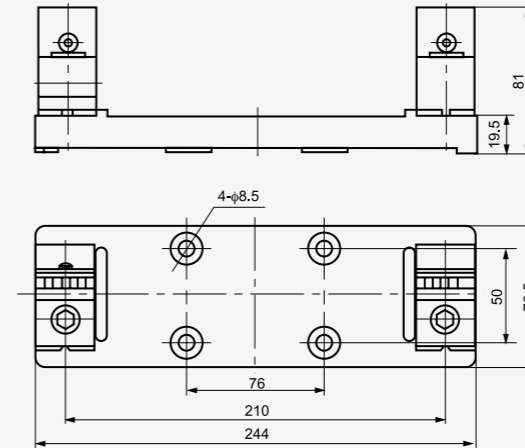


Figure 12.5



Table 12 (cont.)

Cat. No.	Models	Fuse link Size	Rated insulation voltage(V)	Conventional free air thermal current(A)	Dimensions (mm) Fig.	Weight (g)
1209	NT00S-3J	-	690	160	See Figure 12.6	845

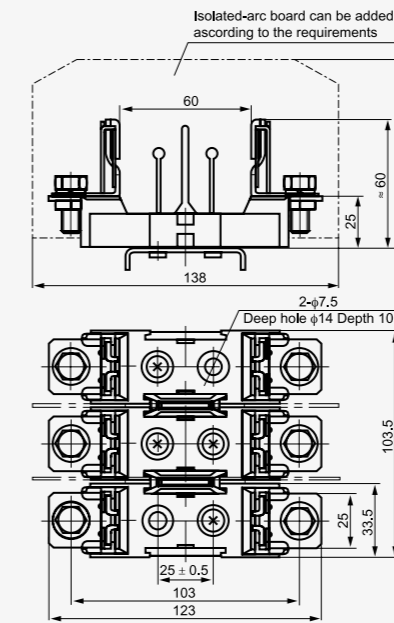


Figure 12.6

